

Pedestal Seat Post

Pedestal Seat Post

The rear seat and back rest can be installed on top of the post for a more comfortable fishing position.

The pedestal seat is equipped with a magnet and the engine service cover has a sensor to ensure it is properly installed. When there is a system malfunction, a beeping sound is emitted and a message for Pivotal Seat Fault is displayed in the digital display.

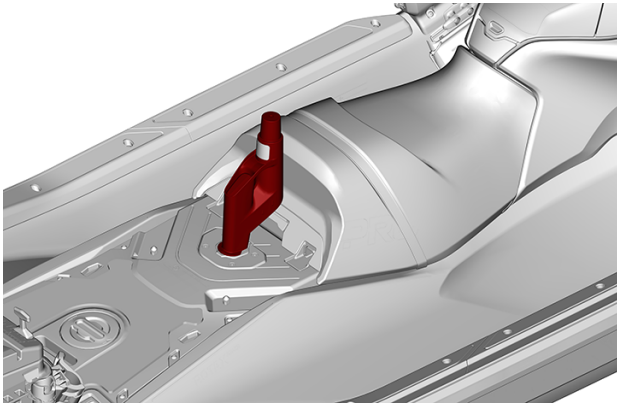
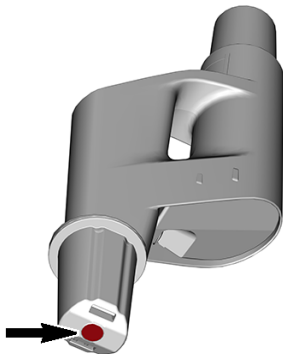


Figure 1. Magnet



MAGNET

Testing the Pedestal Seat Signal

1. Using a multimeter, Check signal as follows.

| PS Voltage Test | | |
|-----------------|-------|----------------|
| Test probes | | Specification |
| Pin A | pin B | 2.0 to 2.5 Vdc |

If voltage is not as specified, replace sensor.

Testing the Pedestal Seat Ground Circuit

1. Using a multimeter, check ground circuit as follows.

| PS Ground Test | | |
|----------------|------------------|-------------------------|
| Test probes | | Specification |
| Pin B | Battery negative | Battery voltage (12.6V) |

If voltage is not as specified, check wiring and connectors.

Testing the Pedestal Seat Sensor Input Voltage

1. Disconnect pedestal seat (PS) sensor.
2. Test voltage as follows:

| PS Voltage Test | | |
|-----------------|-------|-----------------|
| Test probes | | Specification |
| Pin C | Pin B | Battery voltage |

3. If voltage is not within specification, carry out *Testing the Pedestal Seat signal*.

Testing the Pedestal Seat Sensor

The Pedestal Seat Switch requires a good magnet in the post to function properly. ensure the magnet is present before testing the sensor.

1. Connect vehicle to the BRP diagnostic software (BUDS2).
2. In BUDS2, select the following:
 - **Measurements** page
 - **VCM** button
3. Install pedestal seat post.

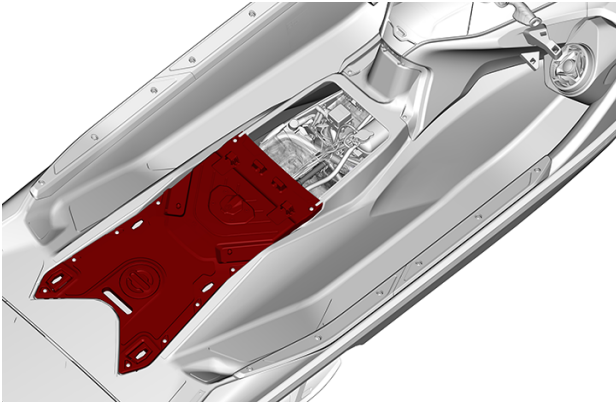
The Pedestal Seat Sensor value should change in BUDS2. If not, carry out *Testing the Pedestal Seat Sensor Resistance*.

4. Remove pedestal seat post.

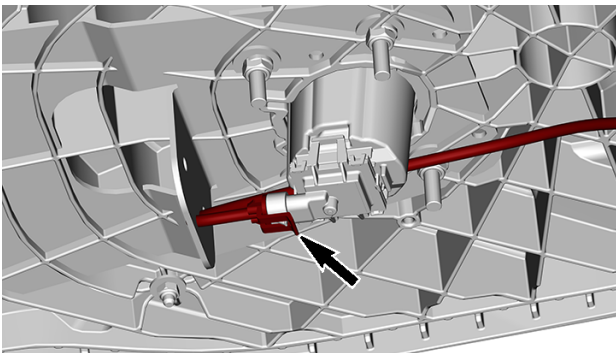
The Pedestal Seat Sensor value should change again in BUDS2. If not, carry out *Testing the Pedestal Seat Sensor Resistance*.

Replacing the Pedestal Seat Sensor

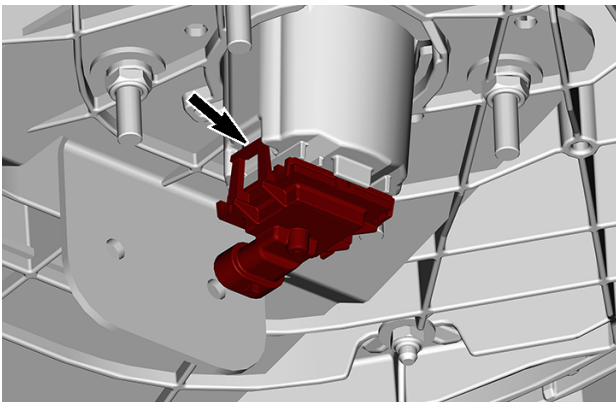
1. Remove engine service cover.



2. Disconnect sensor.



3. Remove sensor.



4. The installation is the reverse of the removal procedure.