

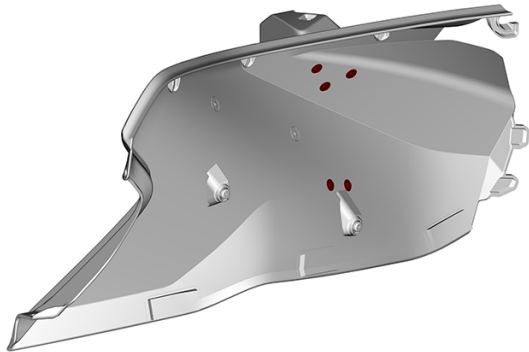
**Fish Rod Holder**  
**Fish Pro Sport/  
Trophy**



# Front Fish Rod Holder

## Removing the Fish Rod Holder

1. Remove the center cosmetic. Refer to *Removing the Center Cosmetic* in this subsection.
2. Remove the mounting screws.



## Installing the Fish Rod Holder

The installation is the reverse of the removal procedure. However, pay attention to the following.

1. Tighten the screws to specification.

Tightening Torque	
Fish rod holder mounting screw	5.5 ± 0.5Nm (49 ± 4 lbf-in)